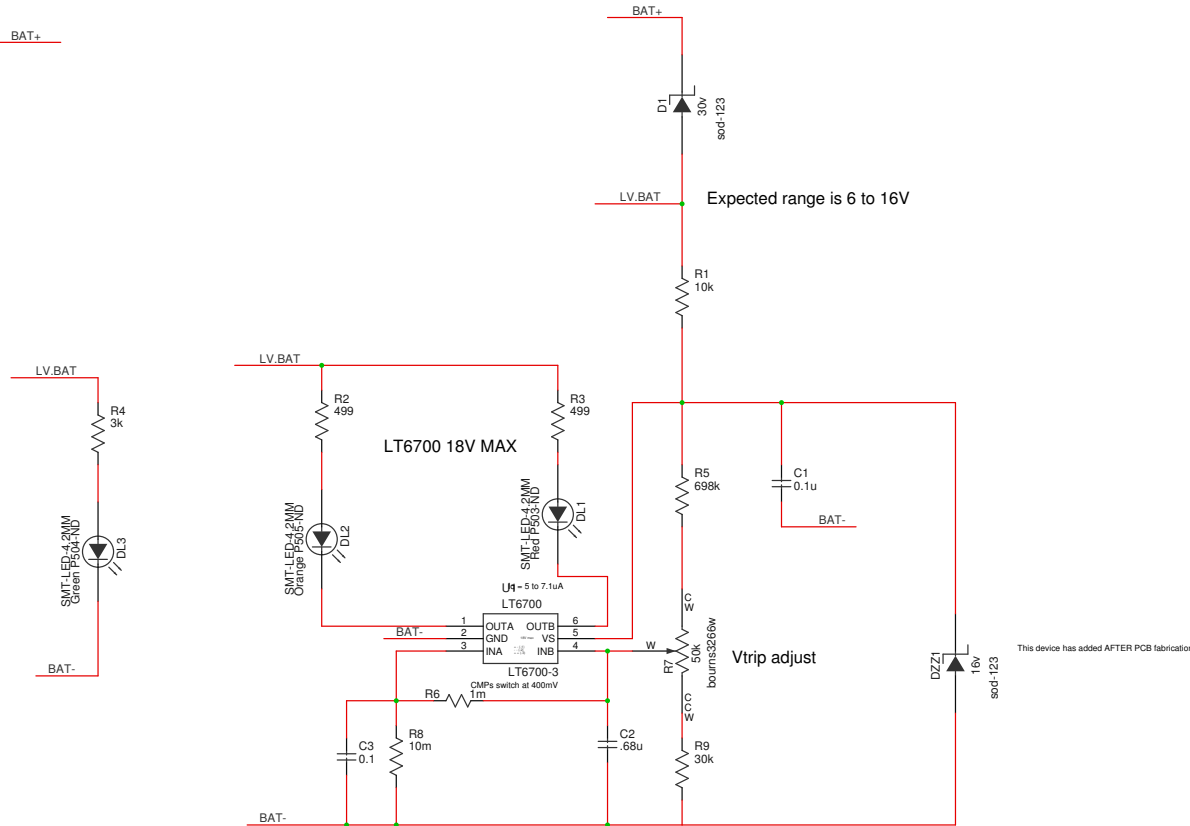
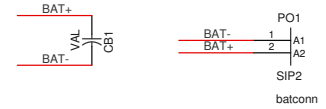
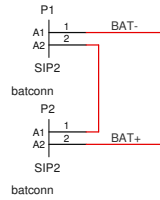


Battery Merge and Monitor for 12 Lilon cells

10% charge : $12 * 3V = 36V$

100% charge : $4.23 * 12 = 50.8V$



Title Battery Merge with LV ind		
Size B	Number	Rev
Date Thu Sep 14 2006	Drawn by CEB	
Filename BATMRG1.S01	Sheet of	