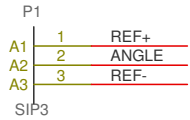
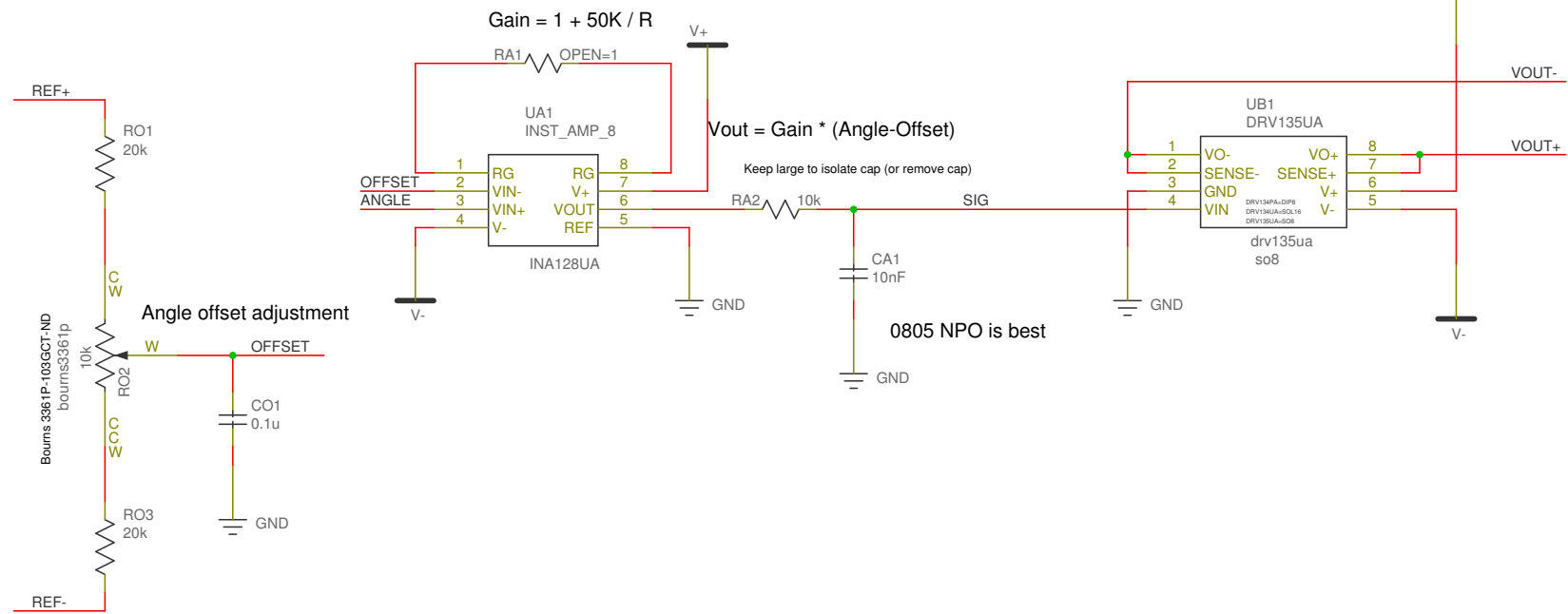


Angle sensor connection



common mode rejection --> ok if Ref moves up/down a bit



All resistors are 0805 SMT, 1%
 All caps are 0805 SMT, 25V or greater

Title			Media lab pot sensor board.		
Size	Number		Rev		1
A		ceb@dideas.com			
Date	Last mod : 020505		Drawn by		
Filename	POT2.S01		Sheet of 2		

A

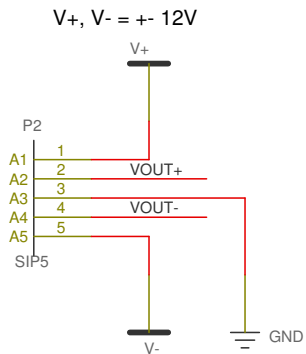
B

C

D

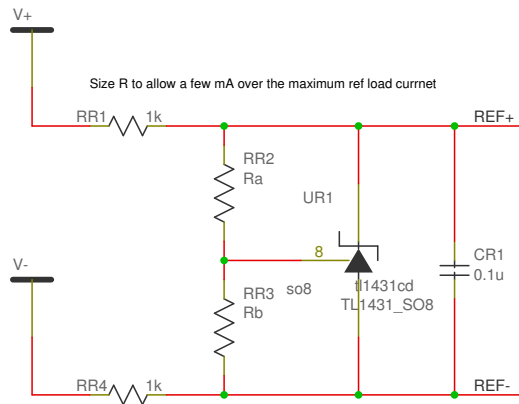
1

1



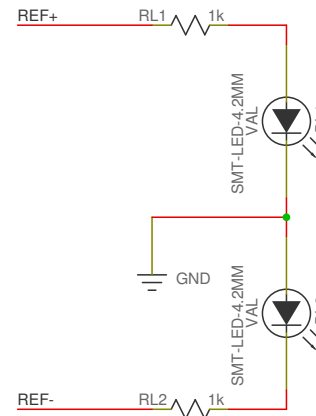
2

2



$V_{ref(total)} = 2.5V * (1 + R_a/R_b)$
for 10V, $R_a=3R_b$

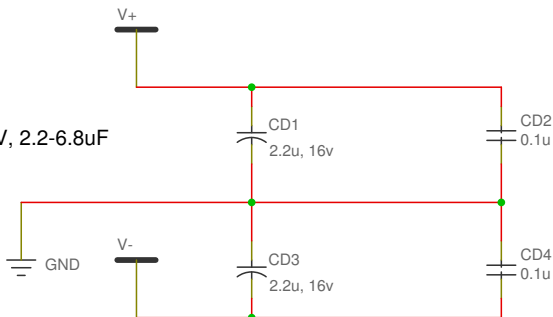
"Power LEDs" - and force reference voltage to center on GND



3

3

Size A (3216 tantalum) 16V, 2.2-6.8uF



0.1u 0805 multilayer ceramic (X7R)

4

4

Title		
Media lab pot sensor board.		
Size	Number	Rev
A	ceb@dideas.com	1
Date	Last mod : 020505	Drawn by
Filename	POT2.S01	Sheet of 2

A

B

C

D

21:59:26

Thu Jun 23 2005